

F10 Series Rotary Potentiometer



Rotary Potentiometer

Joystick

Slide Potentiometer

Trimmer Potentiometer

Encoder

Switch

Sensor



Feature

1. Carbon element
2. Molded case
3. Wide assortment of resistance tapers

Application:

- Steering gear
- Electronic Toys

Recommended model:

- ◆ F10-PH11B5K

Electrical Characteristics

Total Resistance	1KΩ-100KΩ
Total Resistance Tolerance	±20%
Resistance Taper	A,B taper
Sliding Noise	Less than 100mV
Residual Resistance	Term.1~2: Less than 20Ω Term.2~3: Less than 20Ω
Max. Operating Power	Linear Taper B: AC 100V Other Tapers: AC 70V
Rated Power	Linear Taper B: 0.07W Other Tapers: 0.03W

Mechanical Characteristics

Total Rotational Angle	200° ± 5°
Rotational Torque	5gf.cm~90gf.cm
Push-Pull Strength	Push: 1.0Kgf min.
Rotational Stopper Strength	2.0kgf.cm min.

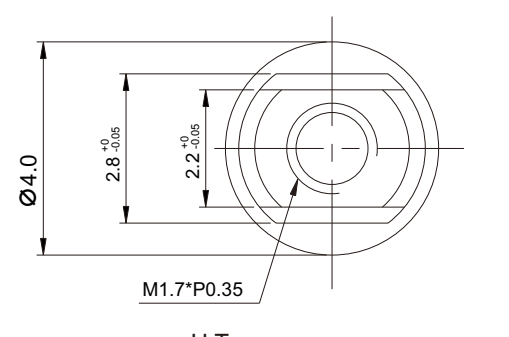
Durability

Rotational Life	5,000 Cycles Min
-----------------	------------------

HOW TO ORDER

F10-	P	H	1	1	B	5K	1				
Model Series	Shaft Type&Length		Terminal Length		Resistance Taper		Total Resistance		Operation Life		
	See Note1		1: 4.9mm		A:Audio (15A) B: Linear (1B)		1K 2K 5K 10K 20K 50K 100K		(Blank):Std.Life w/o anti-sulfur 1:Std.Life w/ anti-sulfur 2:Long.Life w/ anti-sulfur 3:Long.Life w/o anti-sulfur		
Terminal Configuration			P: Top Adjust,PC Pins								

Note1:Shaft Type&Length



H Type	
Code	Length
1	1.0mm
2	2.0mm
3	3.0mm
4	4.0mm
5	5.0mm

F10-PH11

